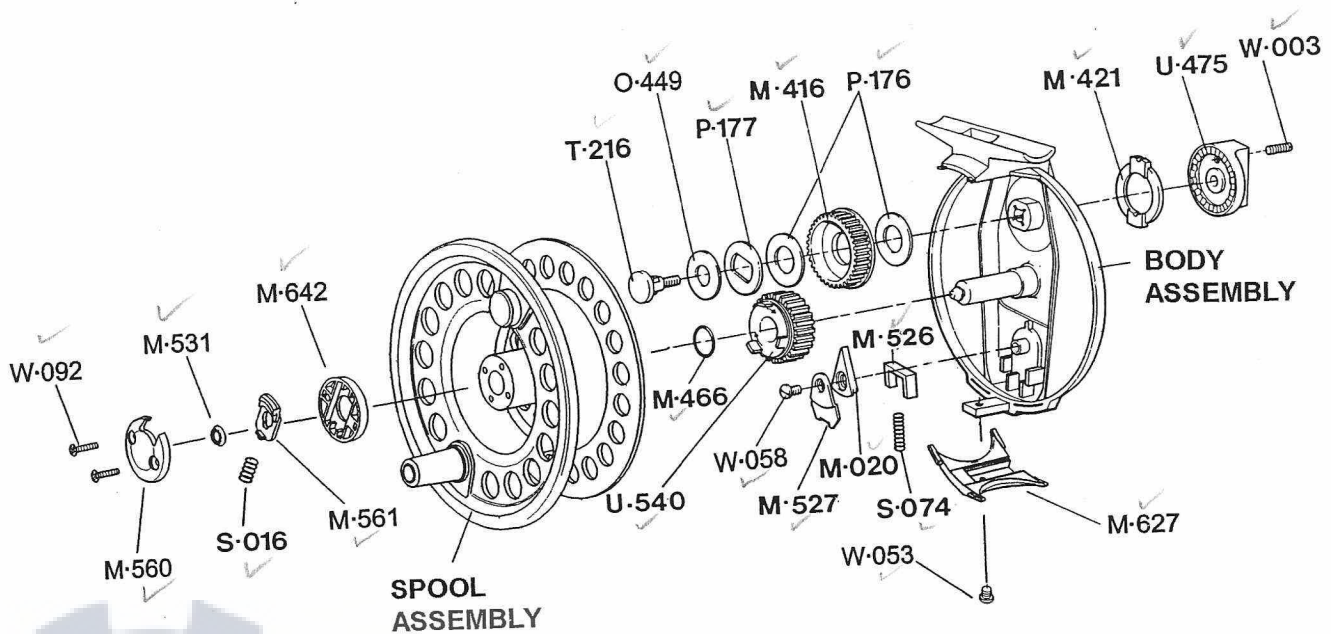


# DragonFly Large Arbor



| MODEL           | DRAGONFLY<br>LARGE ARBOR<br>70 | LTD. GRAPHITE<br>LARGE ARBOR<br>70 | DRAGONFLY<br>LARGE ARBOR<br>90 | LTD. GRAPHITE<br>LARGE ARBOR<br>90 |
|-----------------|--------------------------------|------------------------------------|--------------------------------|------------------------------------|
| PRODUCT No.     | 750                            | 550                                | 749                            | 549                                |
| SPARE SPOOL No. | 7750                           | 5550                               | 7749                           | 5549                               |

|                |       |       |
|----------------|-------|-------|
| BODY ASSEMBLY  | U 832 | U 813 |
| CENTRE SPINDLE | T 525 |       |

| SPOOL ASSEMBLY | U 833  | U833BLACK | U 814 | U814BLACK |
|----------------|--------|-----------|-------|-----------|
| SPOOL FRONT    | A 045  |           | A 044 |           |
| SPOOL REAR     | P 303  |           | P 299 |           |
| HANDLE KNOB    | M 431P |           |       |           |
| KNOB SPIGOT    | T 529  |           |       |           |
| KNOB SHIELD    | T 094  |           |       |           |
| COUNTERWEIGHT  | T 526  |           |       |           |

|                  |       |
|------------------|-------|
| DRAG KNOB ASSY   | U 475 |
| DRAG KNOB INSERT | O 455 |

|                 |       |
|-----------------|-------|
| DRIVE GEAR ASSY | U 540 |
| DRIVE HUB       | C 301 |
| DRIVE PLATE     | C 302 |
| DRIVE GEAR      | M 502 |
| PAWL            | P 204 |
| PAWL SPRING     | S 077 |